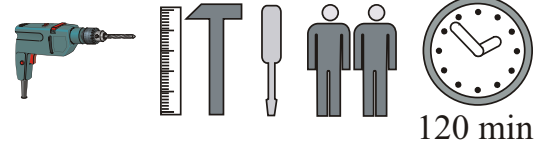
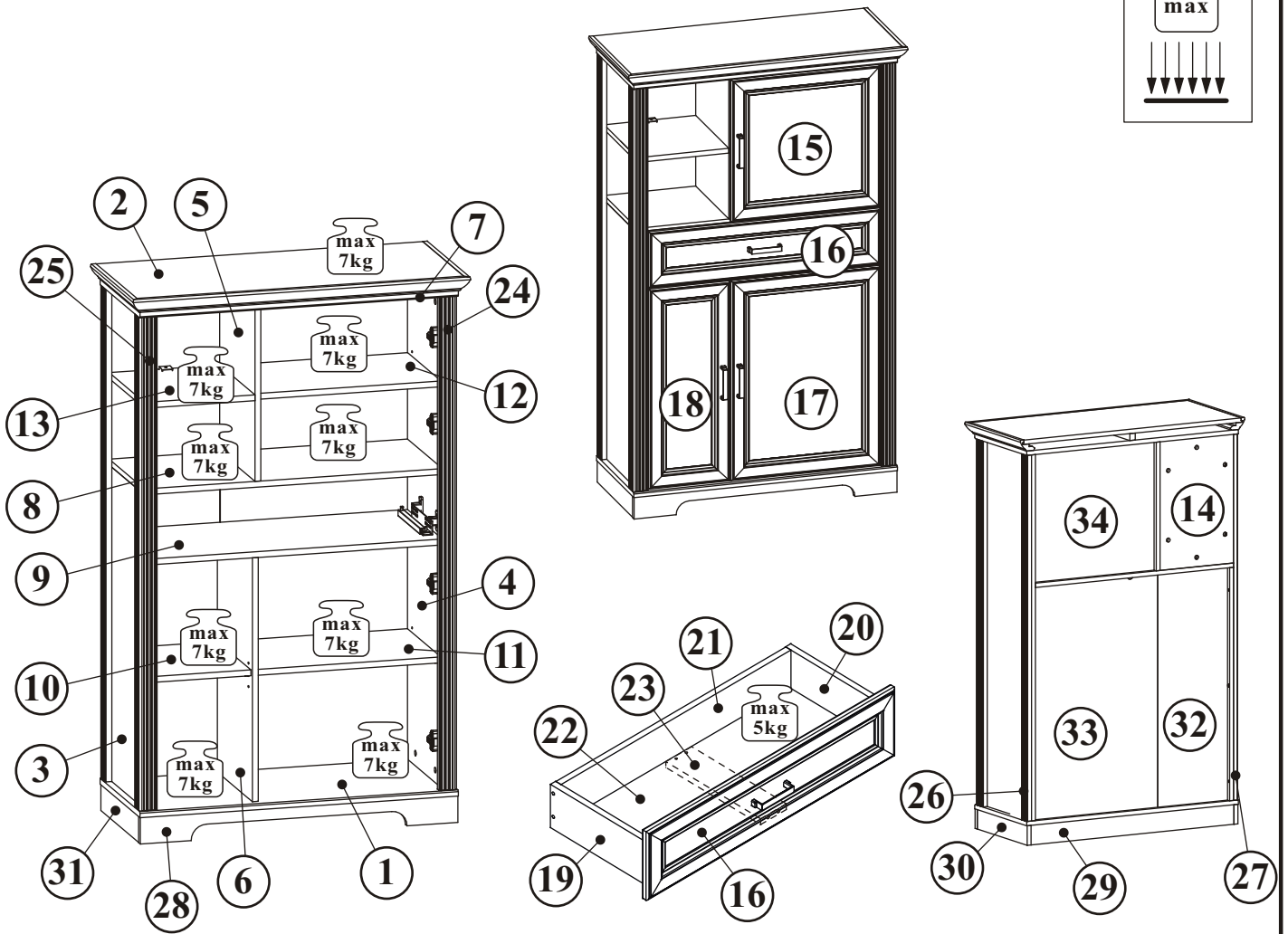
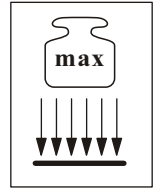
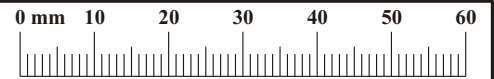


JASMIN 10G9_06

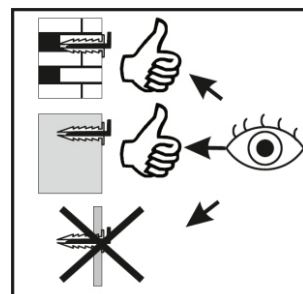
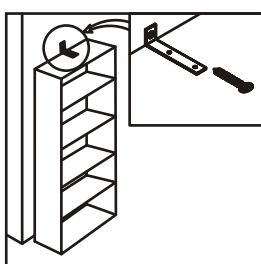
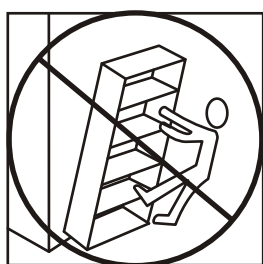
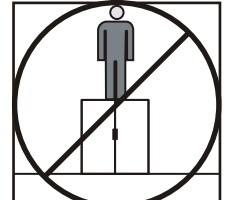
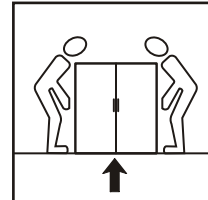
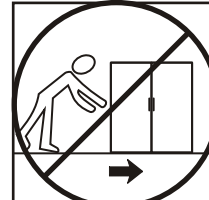
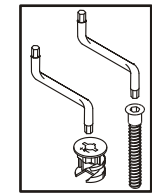
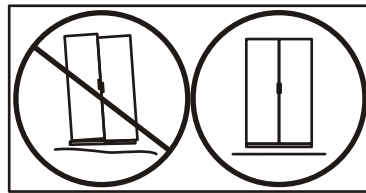
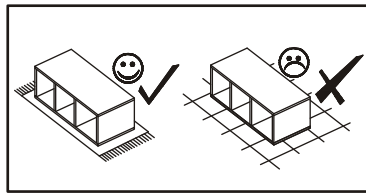
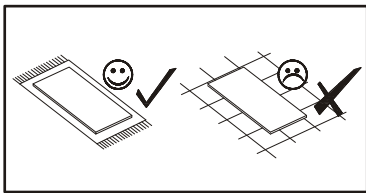
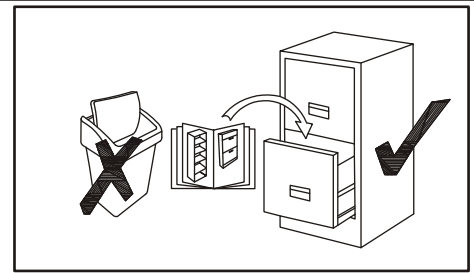
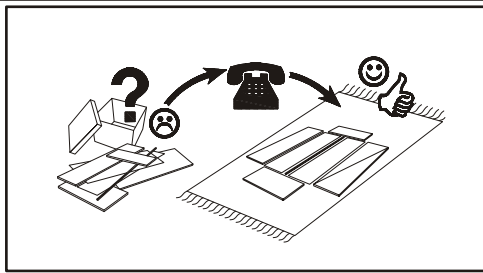
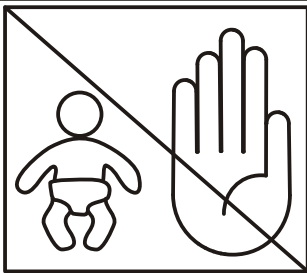


NO	Dim.		Col.-No	Qty
1	876	386	2	1
2	930	413	2	1
3	857	359	1	1
4	1346	359	2	1
5	473	359	1	1
6	665	339	1	1
7	876	386	3	1
8	820	359	3	1
9	804	339	3	1
10	281	324	1	1
11	507	324	1	1
12	500	324	1	1
13	304	342	1	1
14	473	304	1	1
15	476	496	3	1
16	770	188	3	1
17	668	496	3	1
18	668	270	3	1

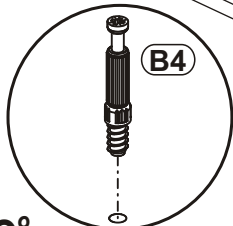
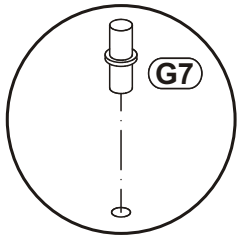
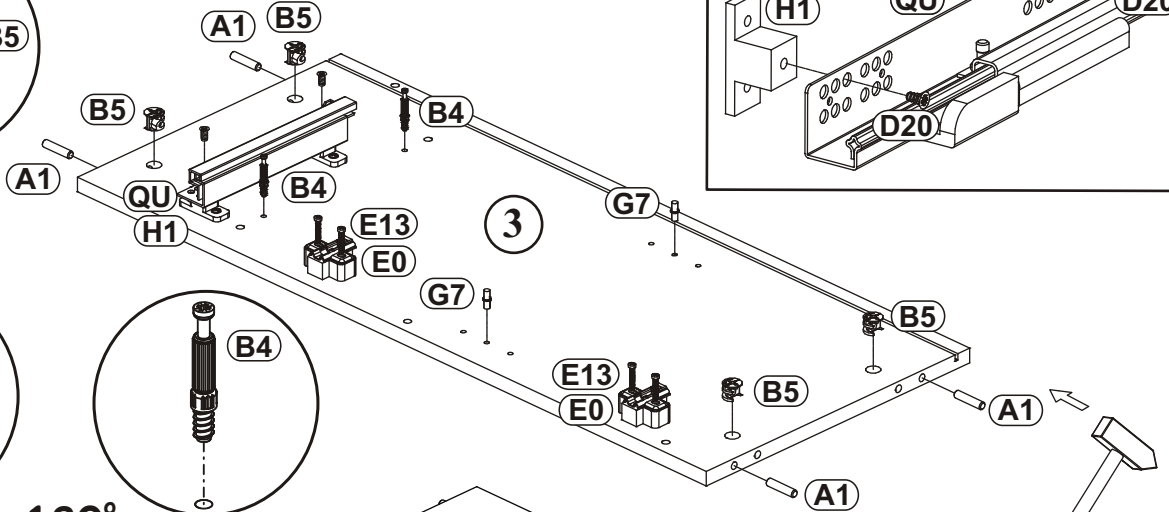
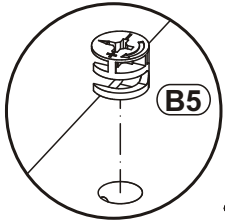
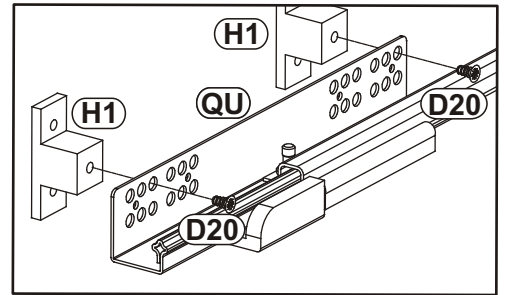
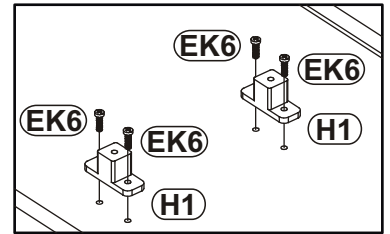
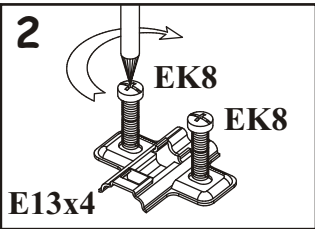
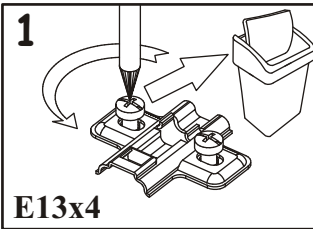
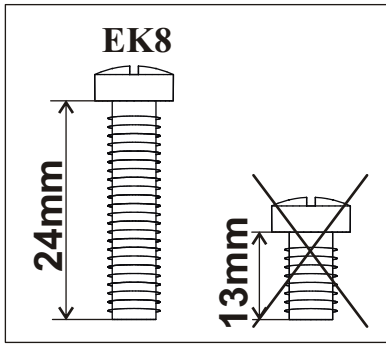
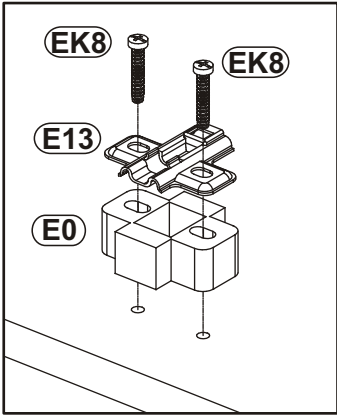
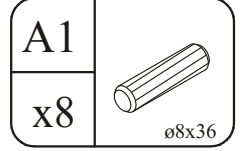
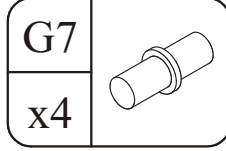
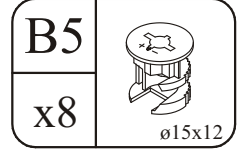
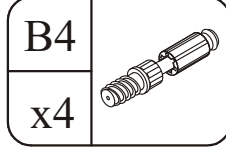
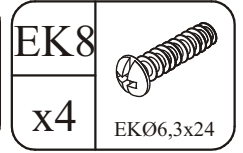
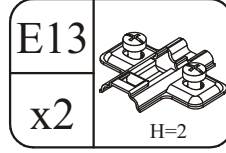
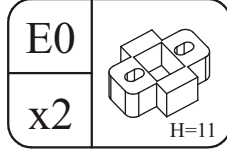
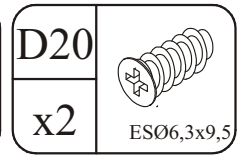
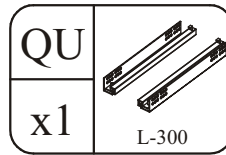
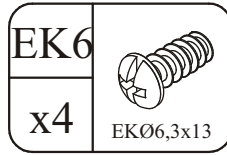
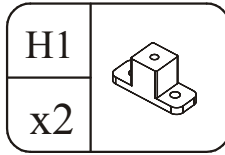
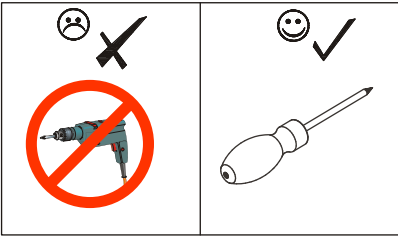
NO	Dim.		Col.-No	Qty
19	300	120	1	1
20	300	120	1	1
21	714	106	1	1
22	304	726	1	1
23	299	80	1	1
24	1346	49	2	1
25	1346	49	2	1
26	1346	43	2	1
27	1346	43	2	1
28	874	72	3	1
29	840	72	1	1
30	369	72	1	1
31	369	72	1	1
32	867	294	3	1
33	867	521	3	1
34	512	483	3	1



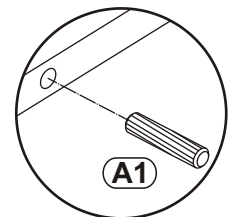
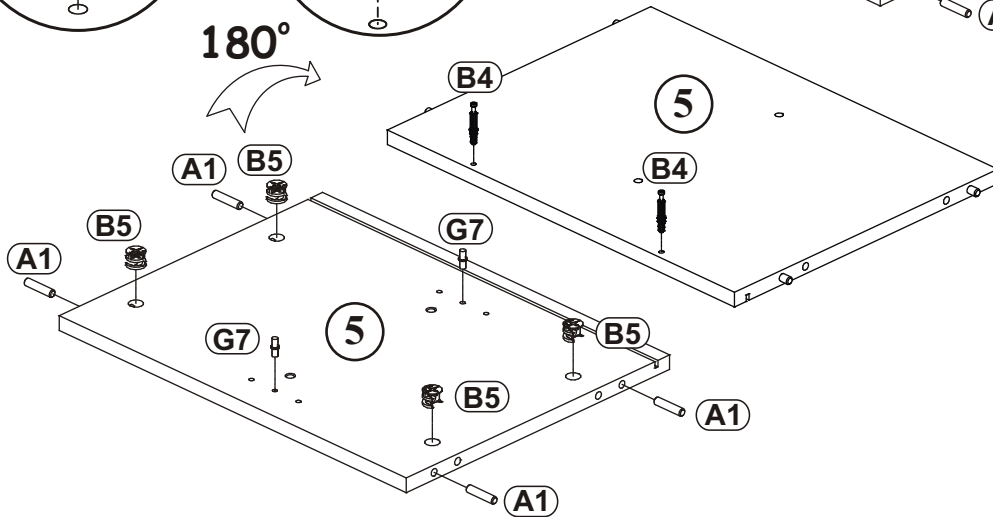
A1 x41 ø8x36	B4 x41	B5 x41 ø15x12	G5 x41	G7 x12	G2 x1
S1 x22	E17 x6 H=16	E13 x6 H=2	UP6 x2 UPØ4x30	L1 x1	KR1 x1
EK8 x12 EKØ6,3x24	D10 x16 USØ3,5x13	UP13 x10 UPØ3x16	D20 x4 ESØ6,3x9,5	QU x1 L-300	I2 x6
B11 x10 Ø7x50	B14 x21 Ø7x30	G4 x22	KM1 x1	G16 x4	E0 x6 H=11
C19 x4	D34 x2 M4x16	D4 x6 M4x30	OS3 x1	EK6 x8 EKØ6,3x13	H1 x4
UP9 x4 UPØ3,5x16	I9 x1 H-60 mm.	G12 x7 Ø14			



1

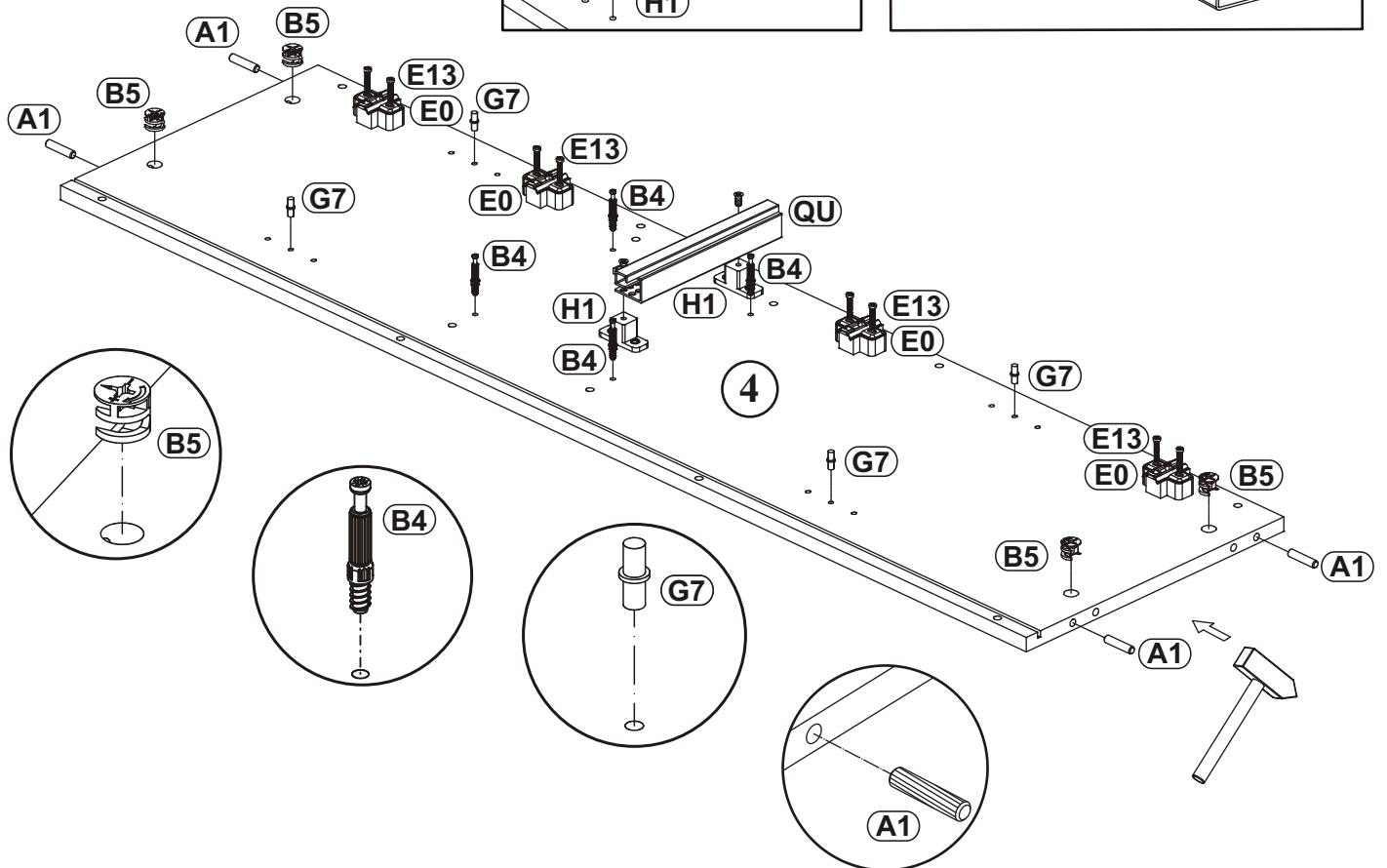
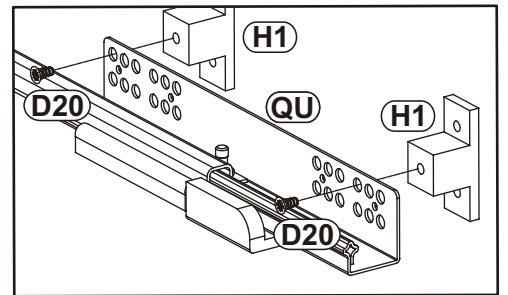
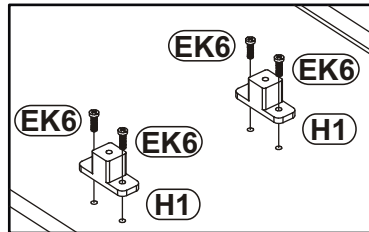
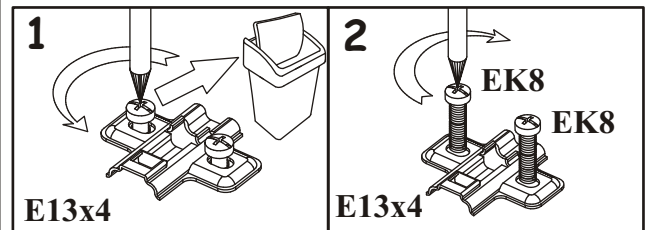
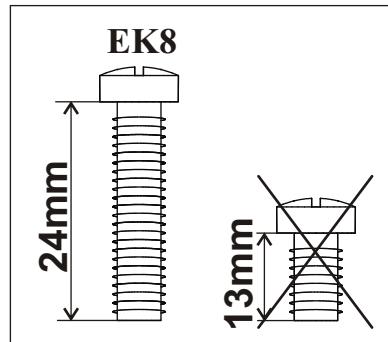
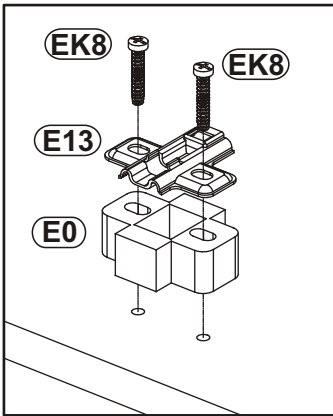
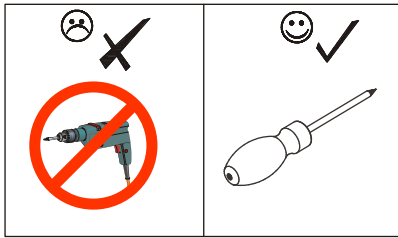


180°

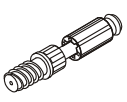
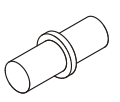


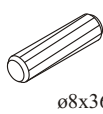

2

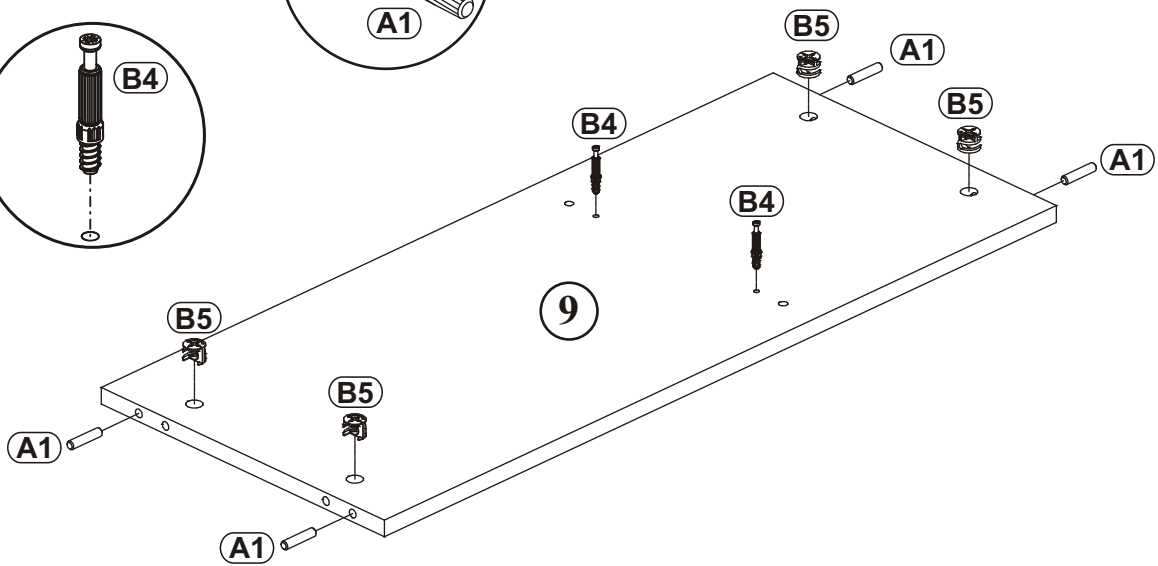
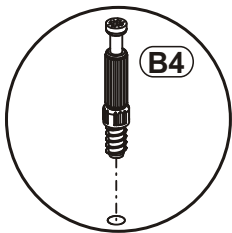
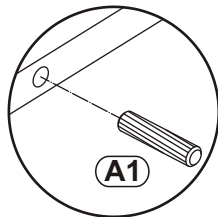
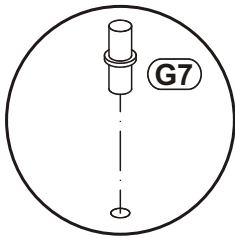
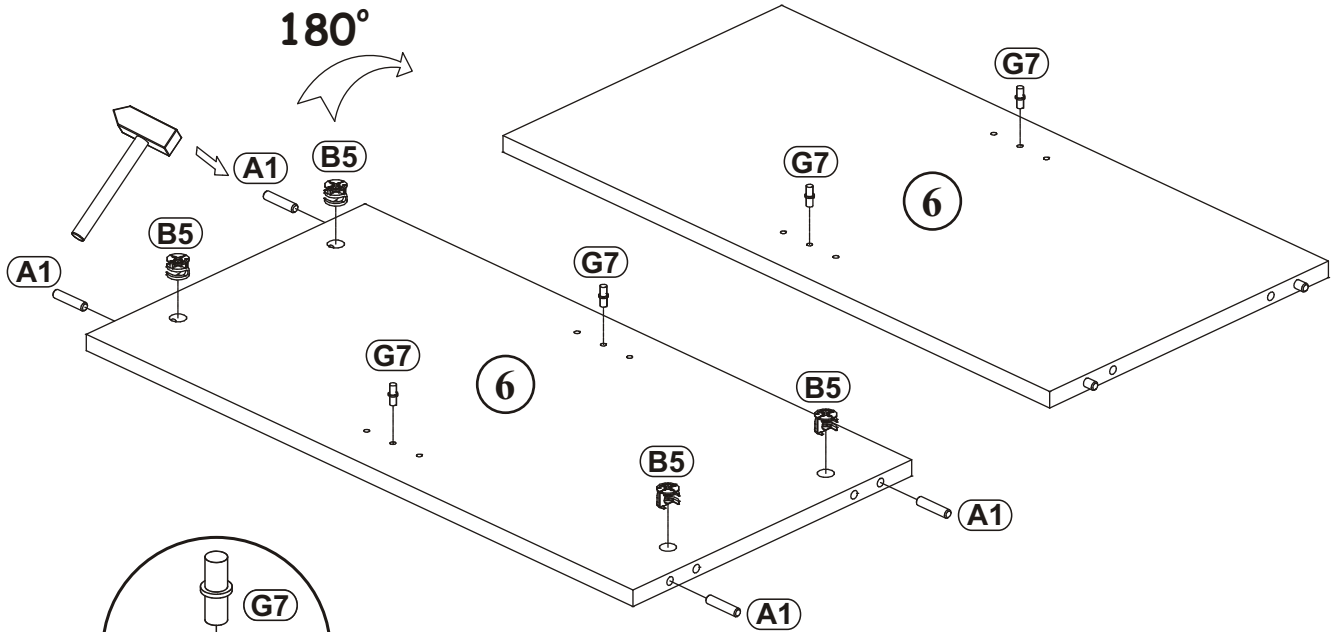
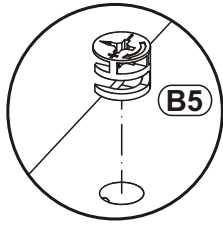
H1 x2		EK6 x4 EKØ6,3x13		QU x1 L-300		D20 x2 ESØ6,3x9,5	
E0 x4		E13 x4 H=2		EK8 x8 EKØ6,3x24		B4 x4	
						B5 x4 ø15x12	
				G7 x4		A1 x4 ø8x36	



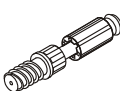
3

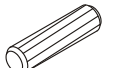
B4		G7	
x2		x4	


A1		B5	
x8	ø8x36	x8	ø15x12

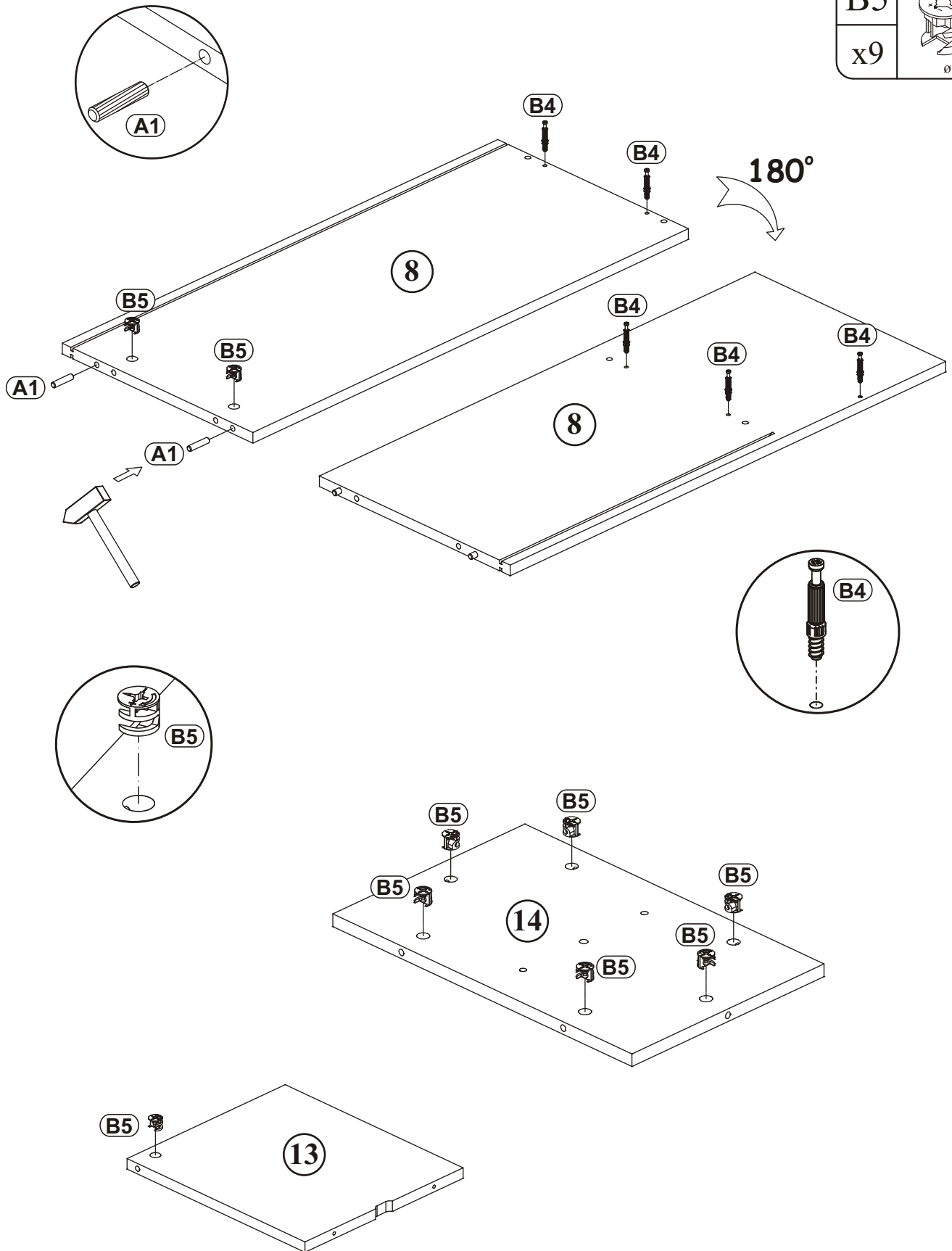


4

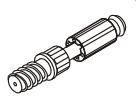
B4	
x5	

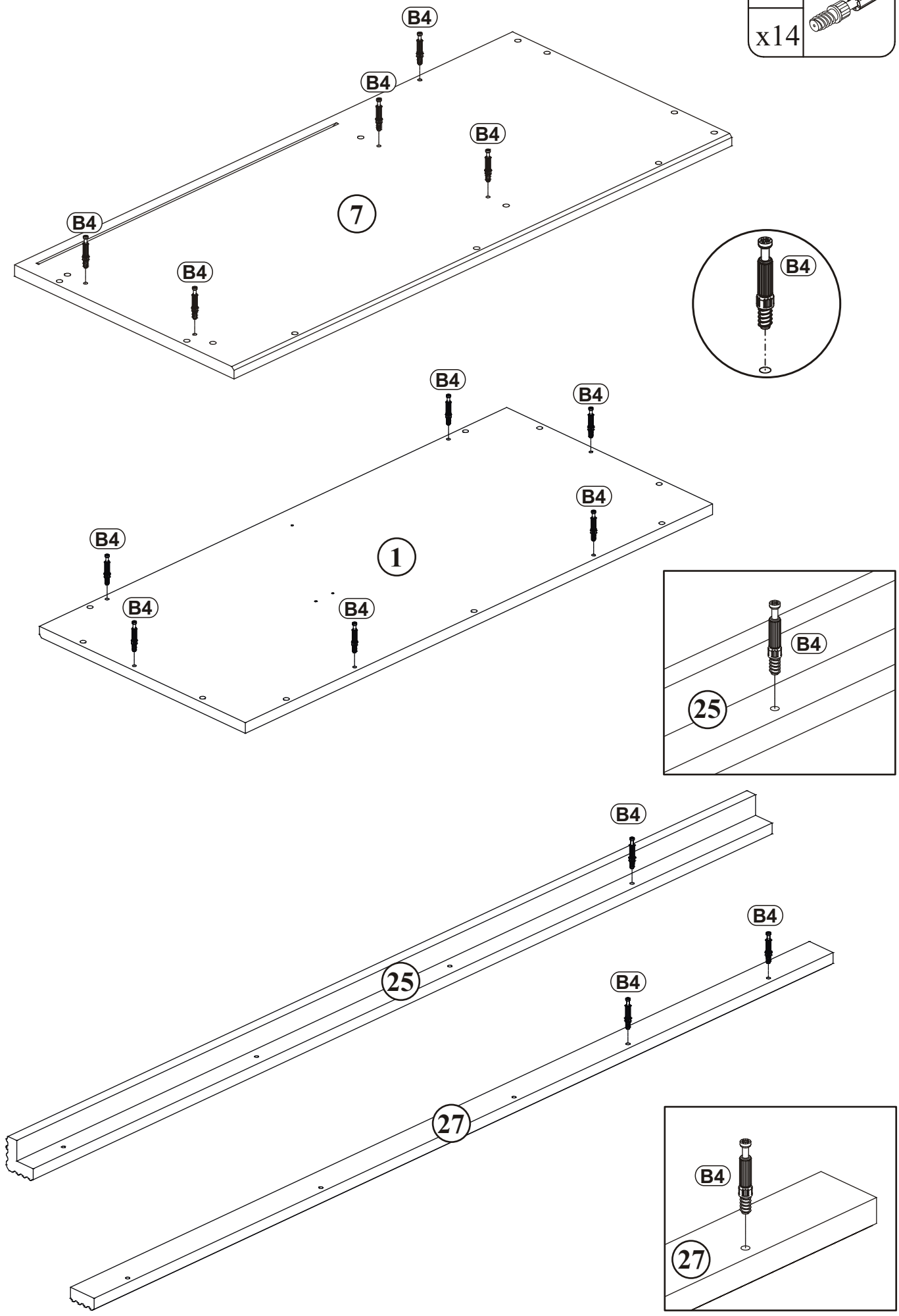
A1	
x2	ø8x36

B5	
x9	ø15x12

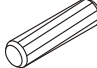

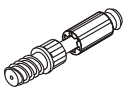


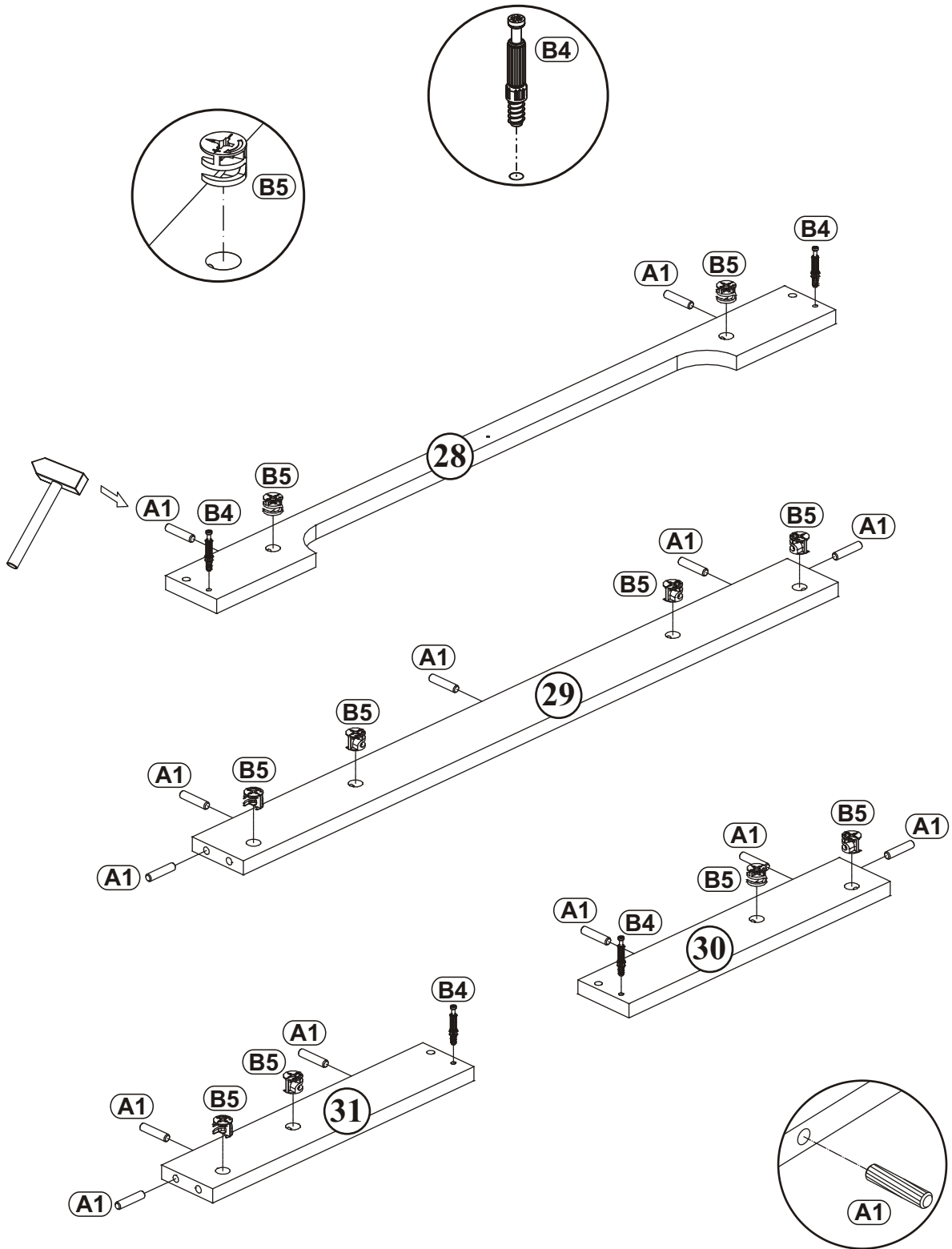
5

B4	
x14	

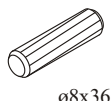
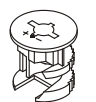


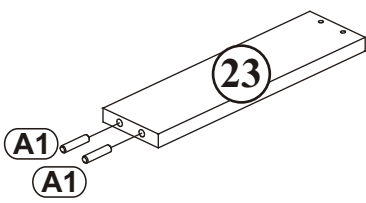
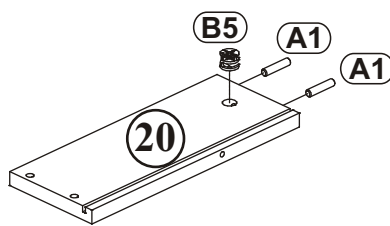
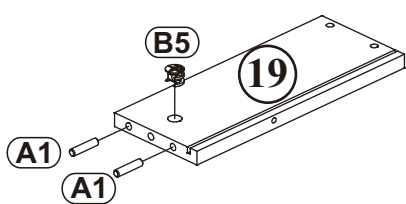
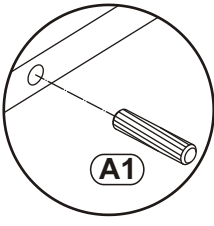
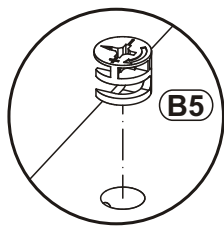
6

A1		B5		B4	
x13	ø8x36	x10	ø15x12	x4	

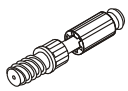


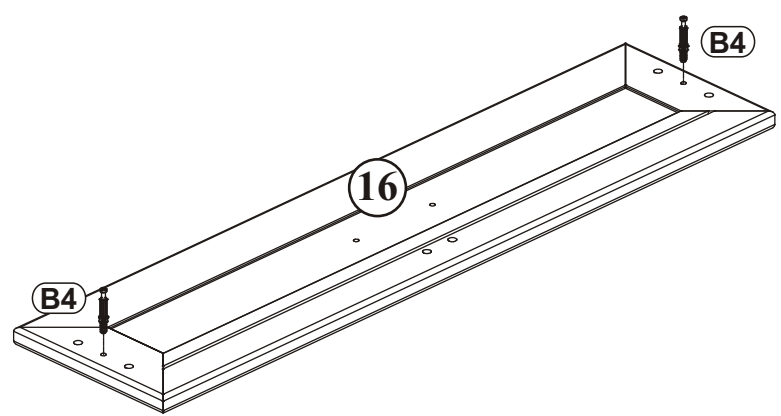
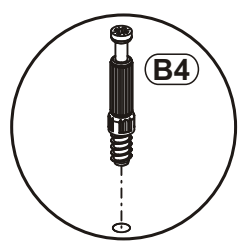
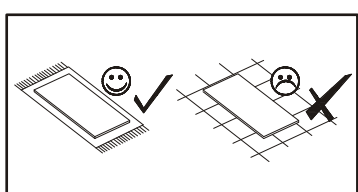
7

A1	 ø8x36	B5	 ø15x12
x6		x2	

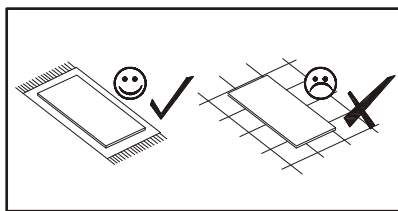


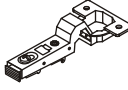
8

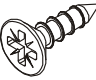
B4	
x2	

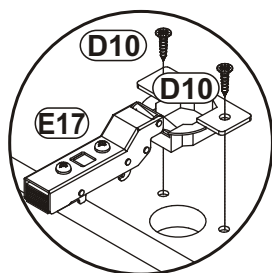
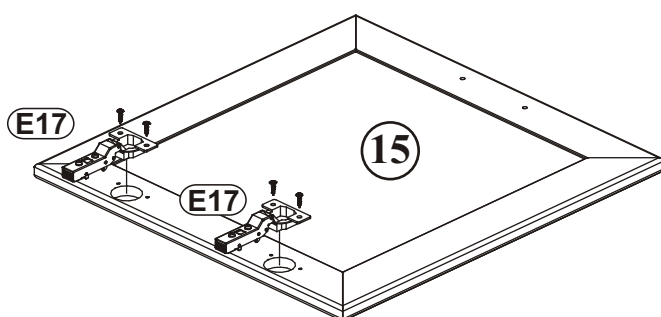
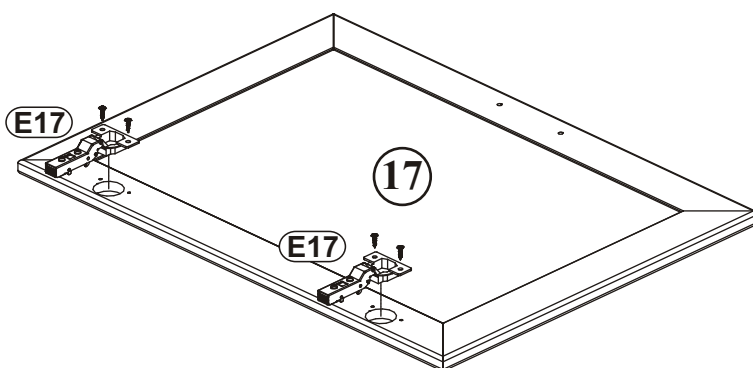
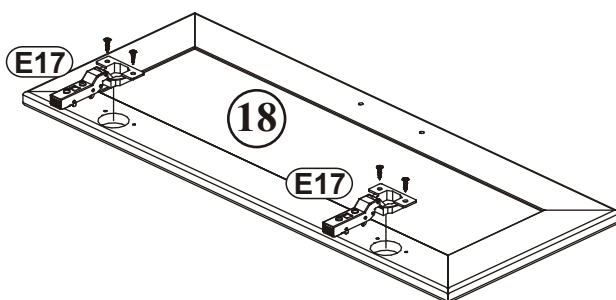


9




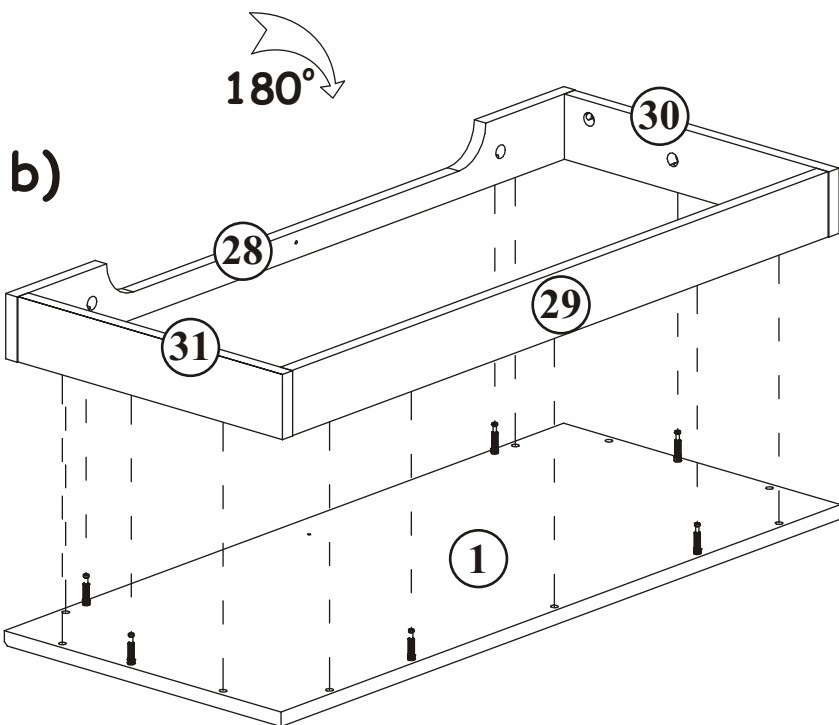
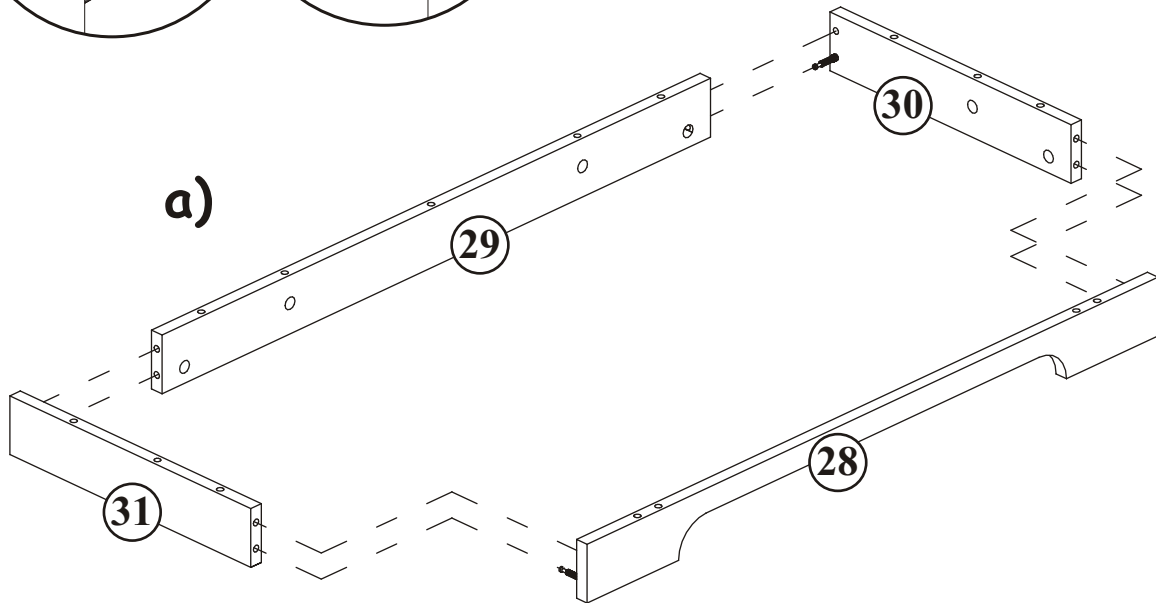
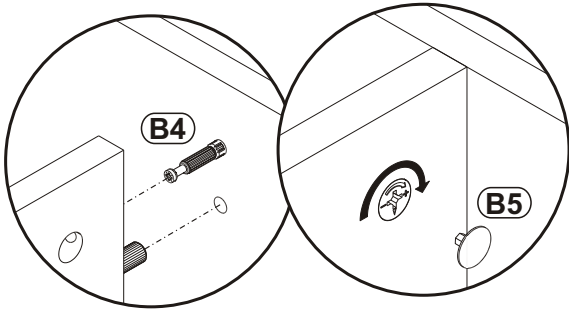
E17	
x6	H=16

D10	
x12	USØ3,5x13

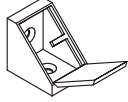

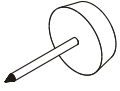
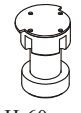

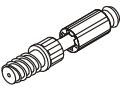


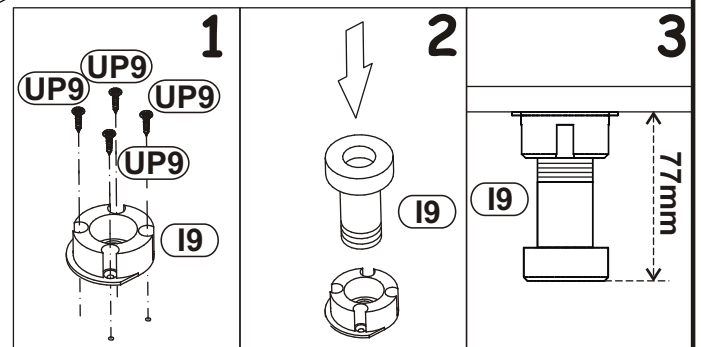
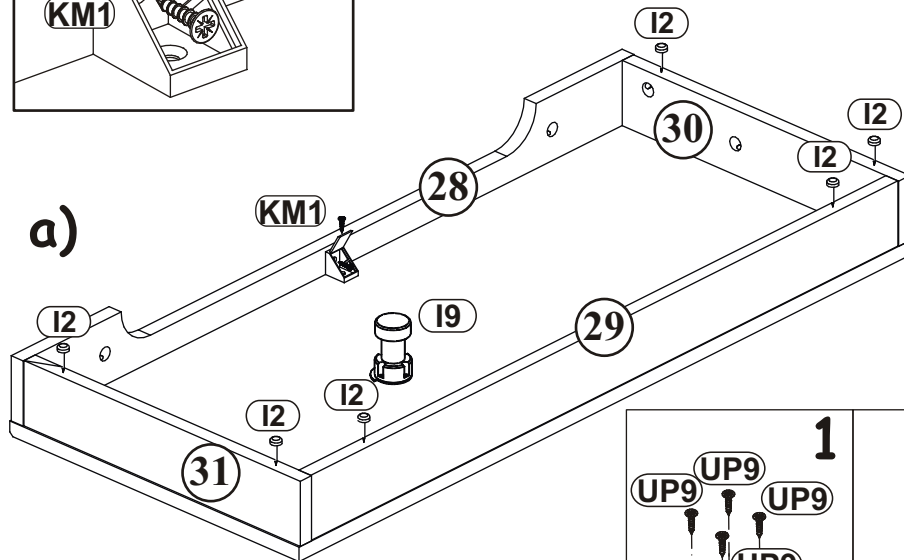
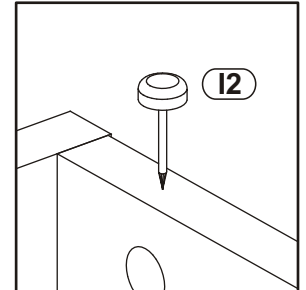
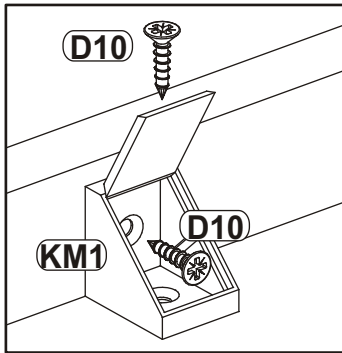
10

G5	
x10	

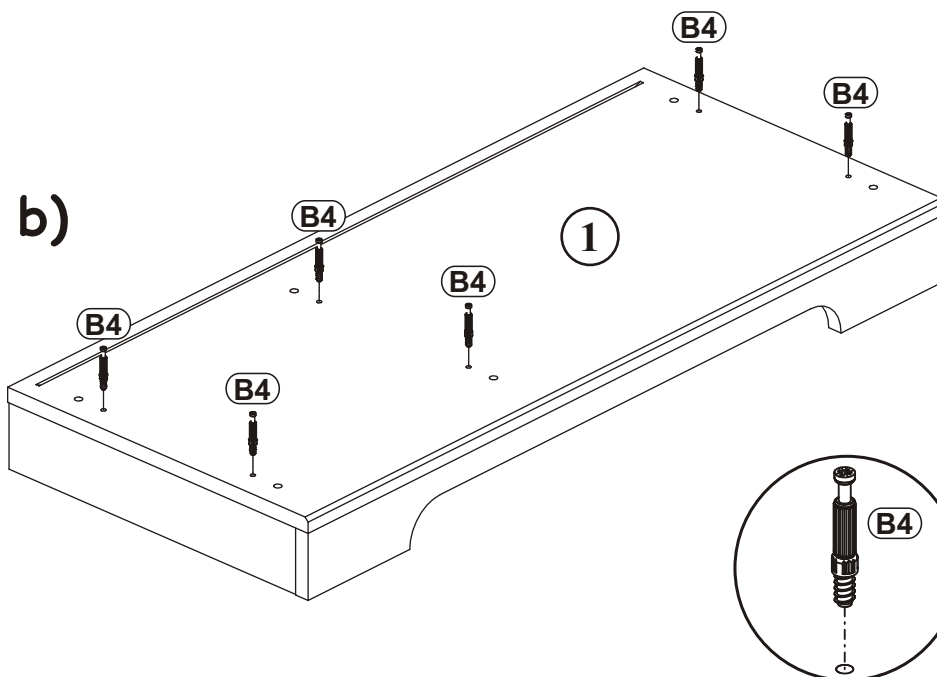


11


KM1 x1		D10 x2	 USØ3,5x13	I2 x6	
I9 x1	 H-60 mm.	UP9 x4	 UPØ3,5x16	B4 x6	




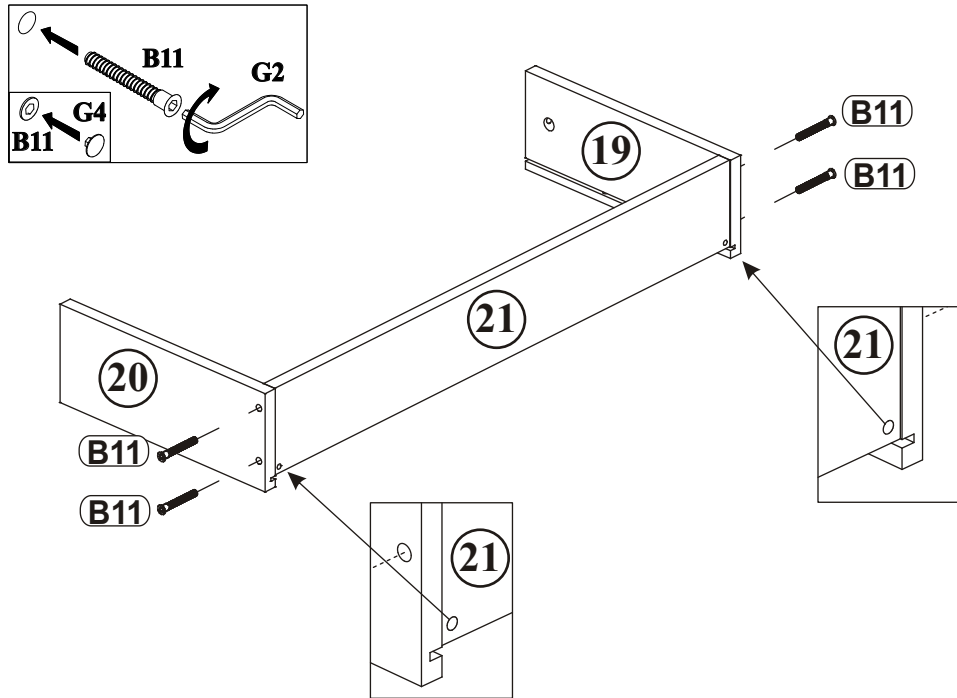
180°




12

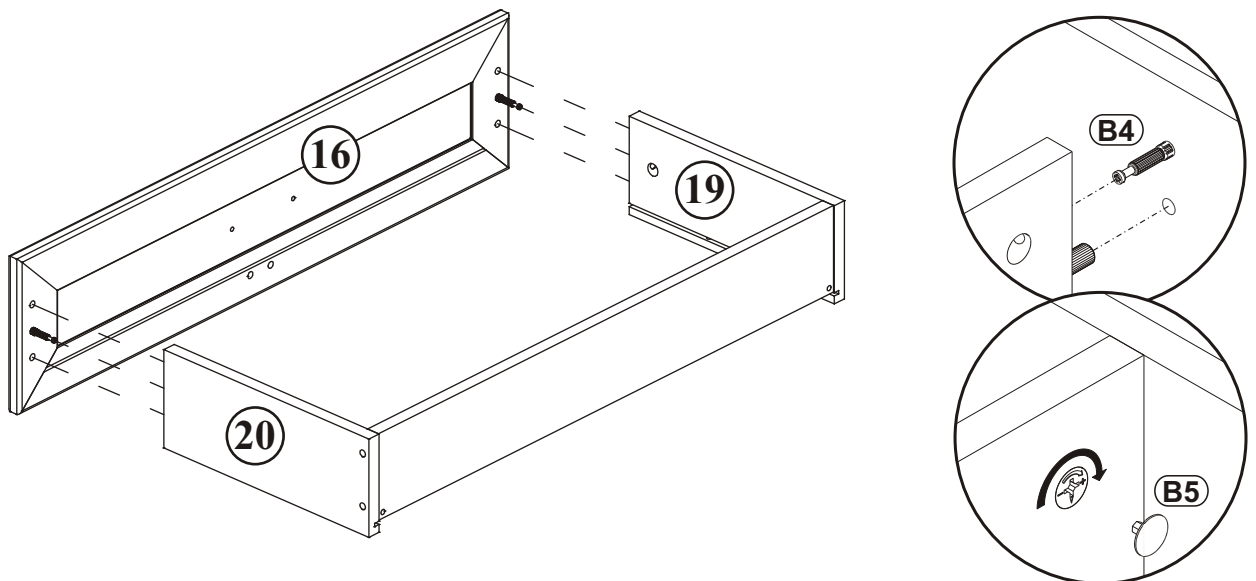
G4	
x4	

B11	
x4	Ø7x50

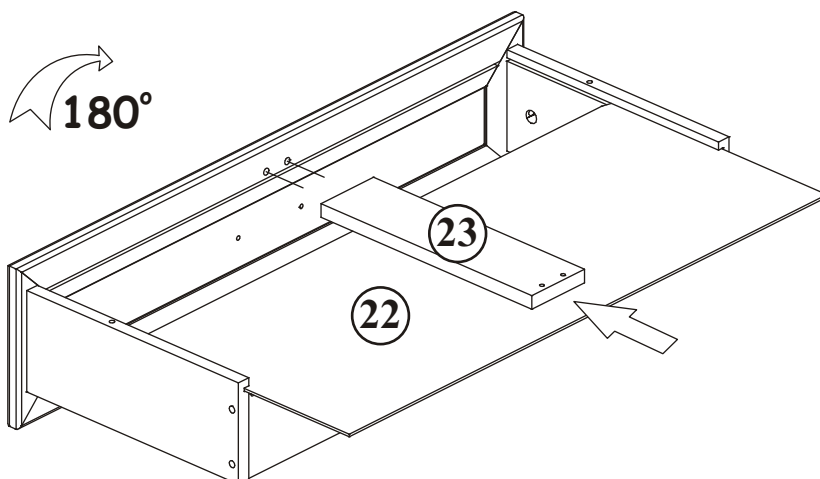


13

G5	
x2	

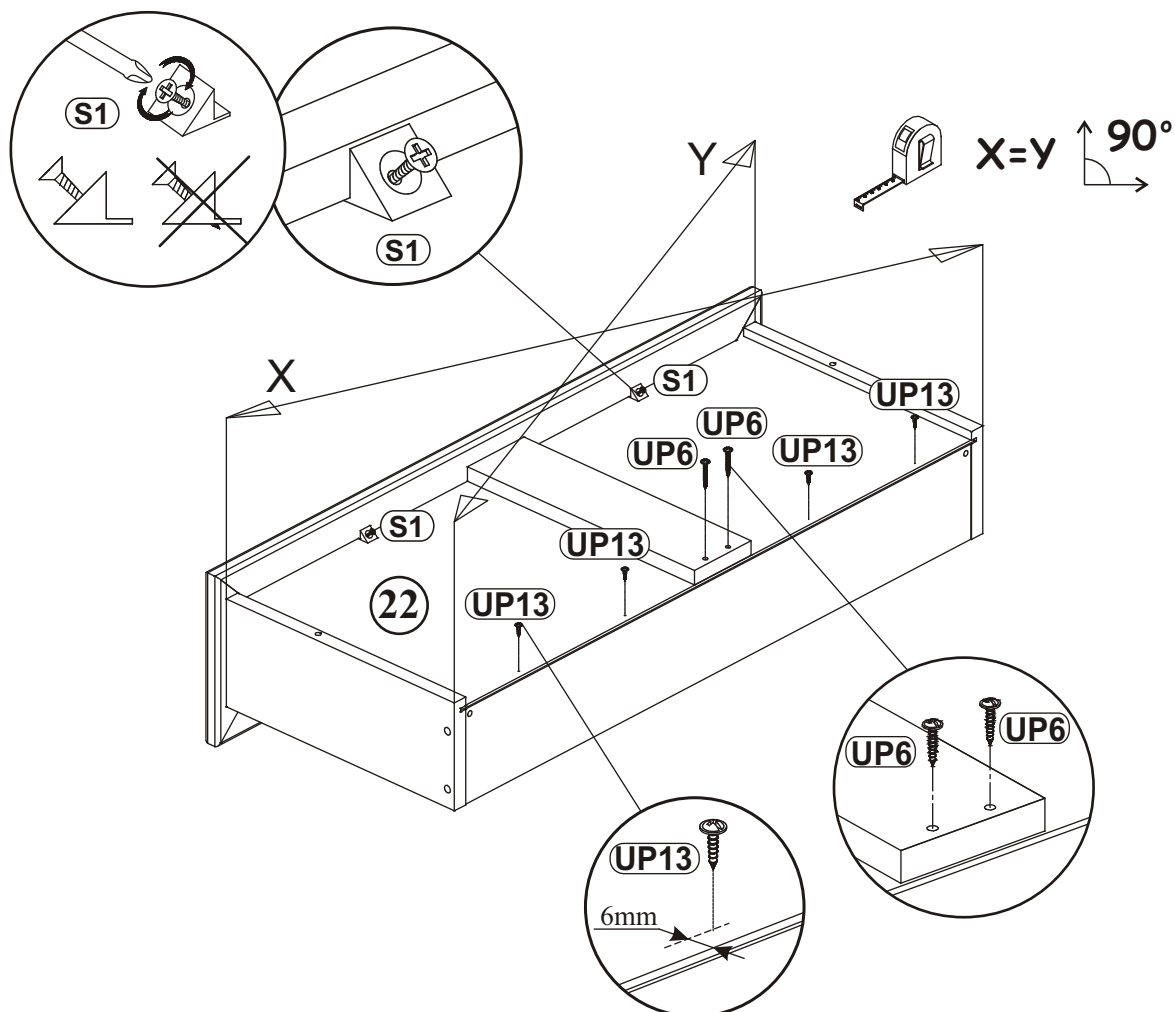


14

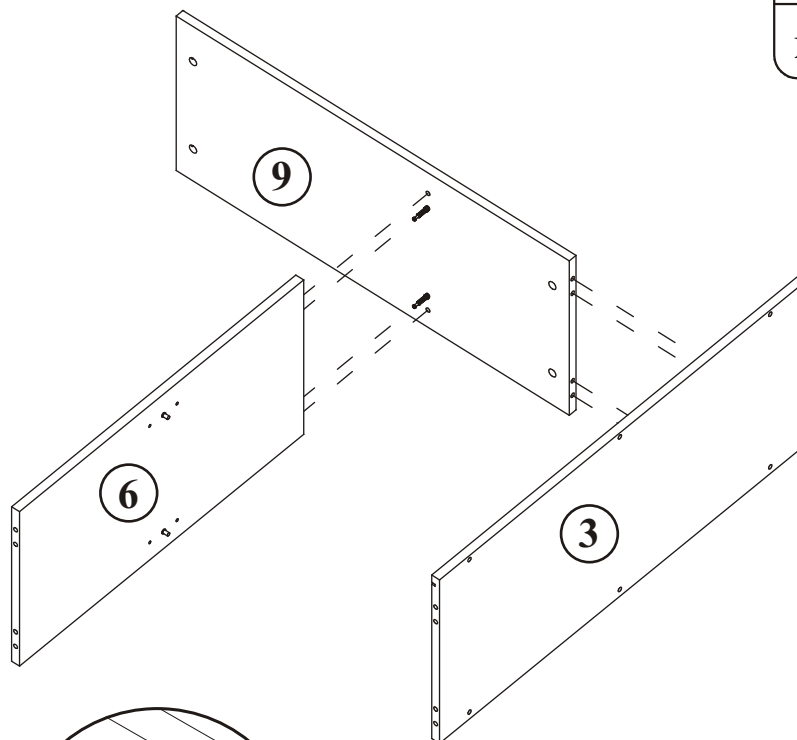
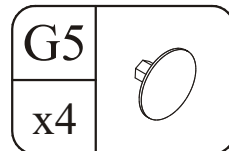


15

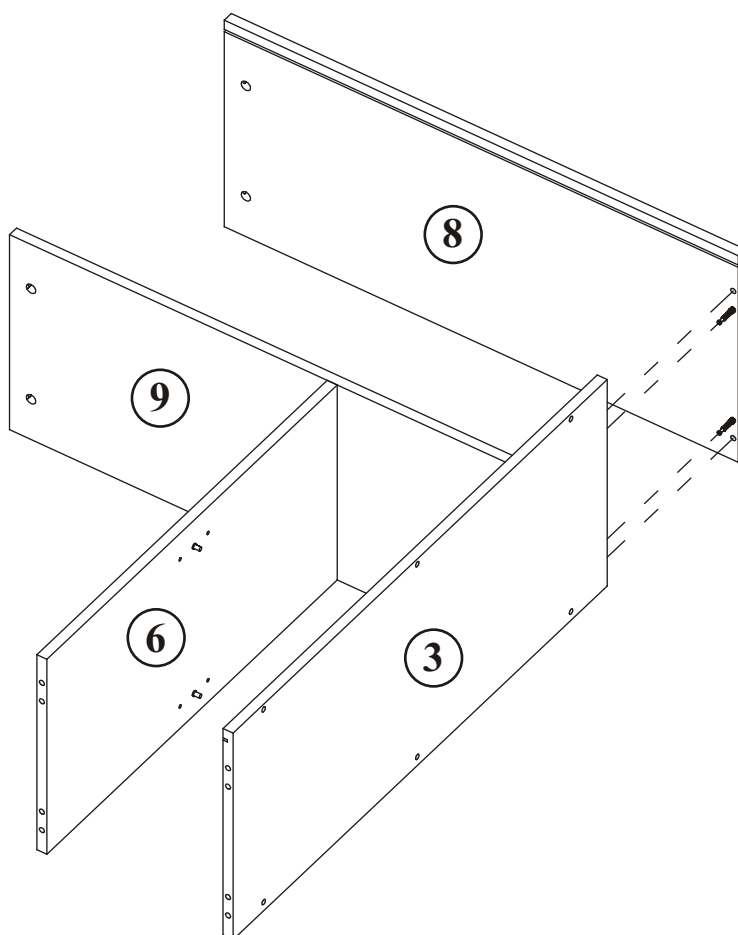
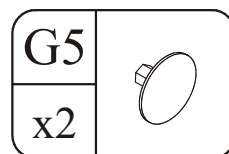
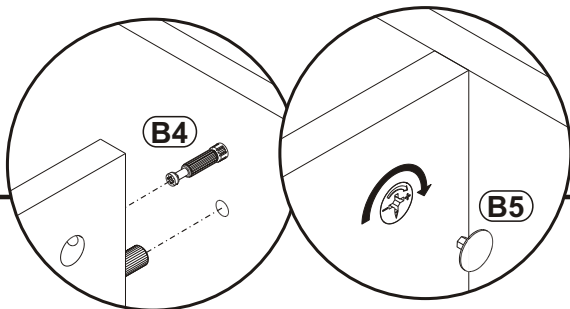
S1		UP6		UP13	
x2		x2	UPØ4x30	x4	UPØ3x16




16

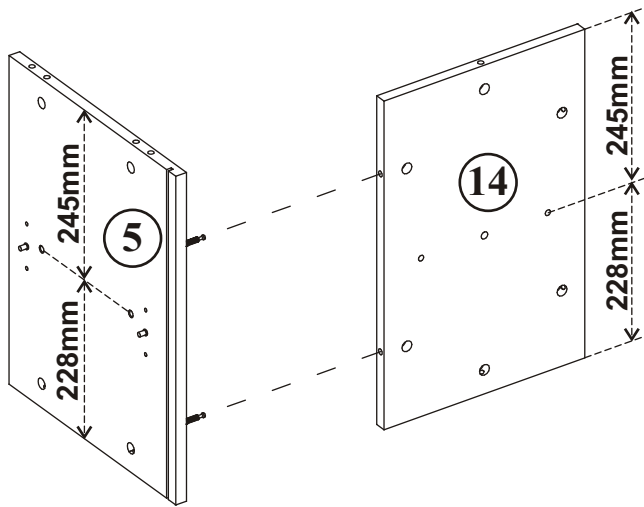
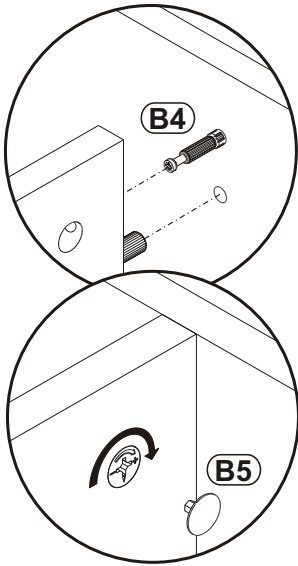


17

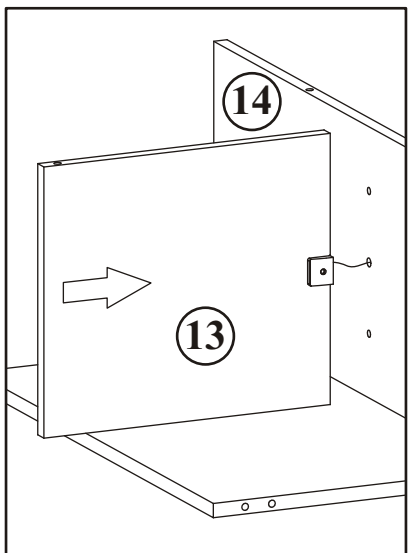
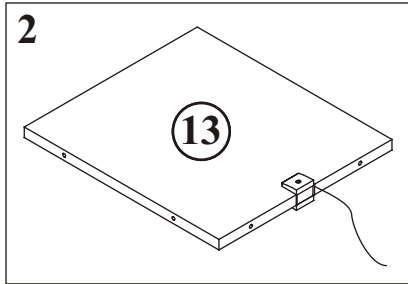
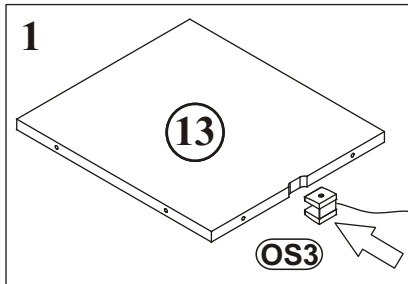


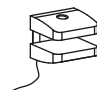
G5	
x2	


18




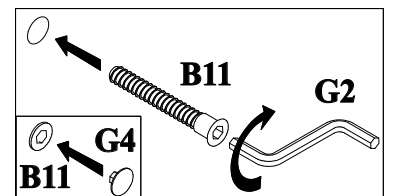
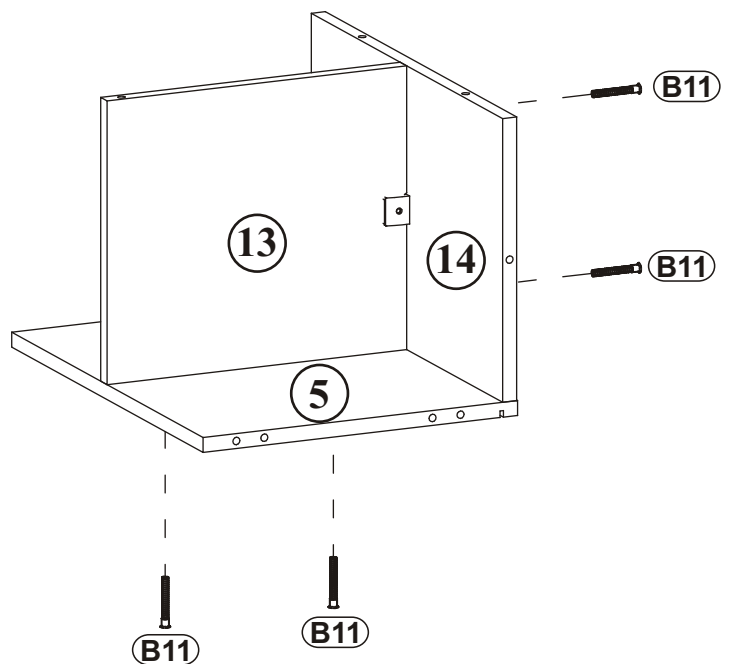
19



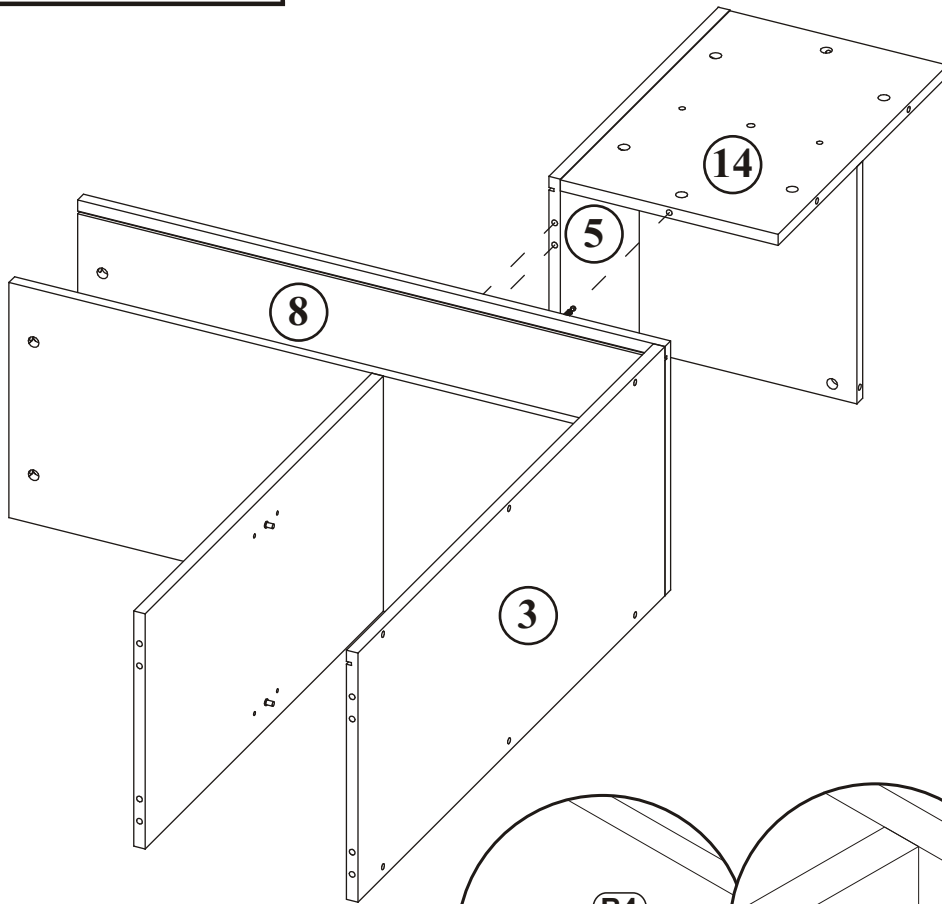
OS3	
x1	


G4	
x4	

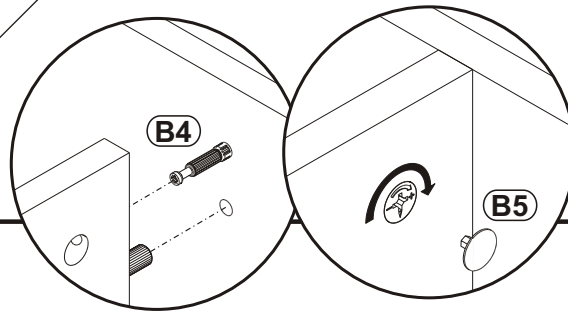
B11	
x4	Ø7x50



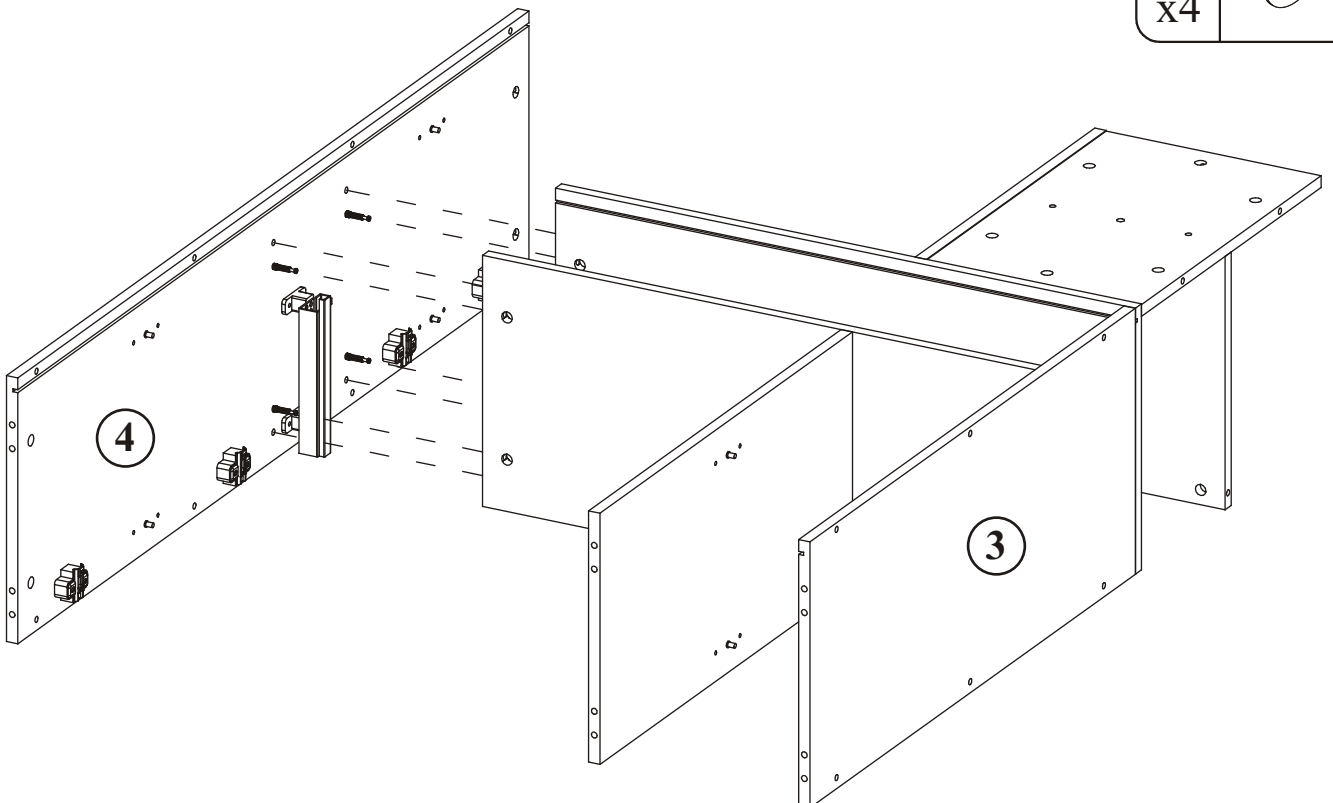
20




G5	
x3	






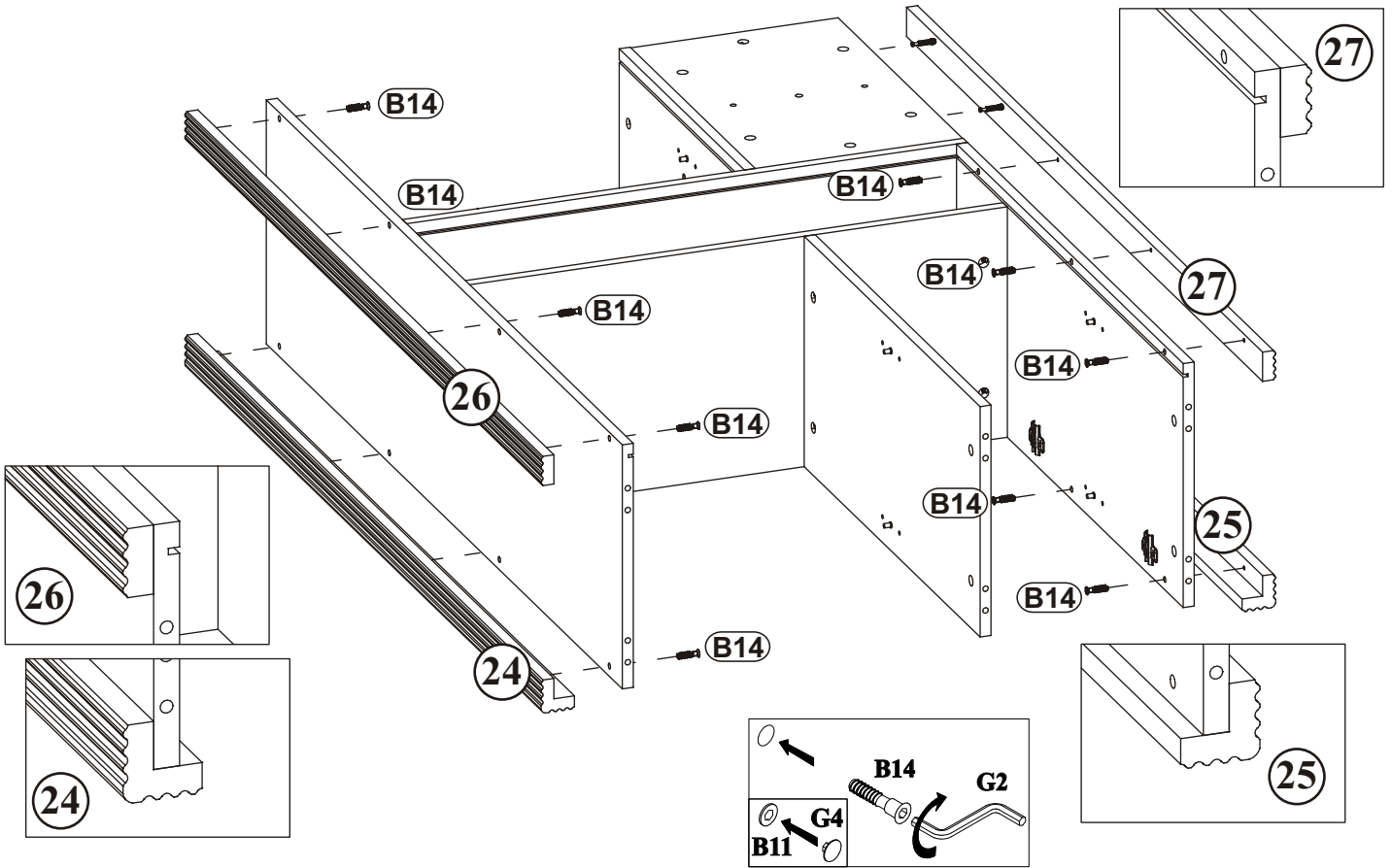
21





G5	
x4	

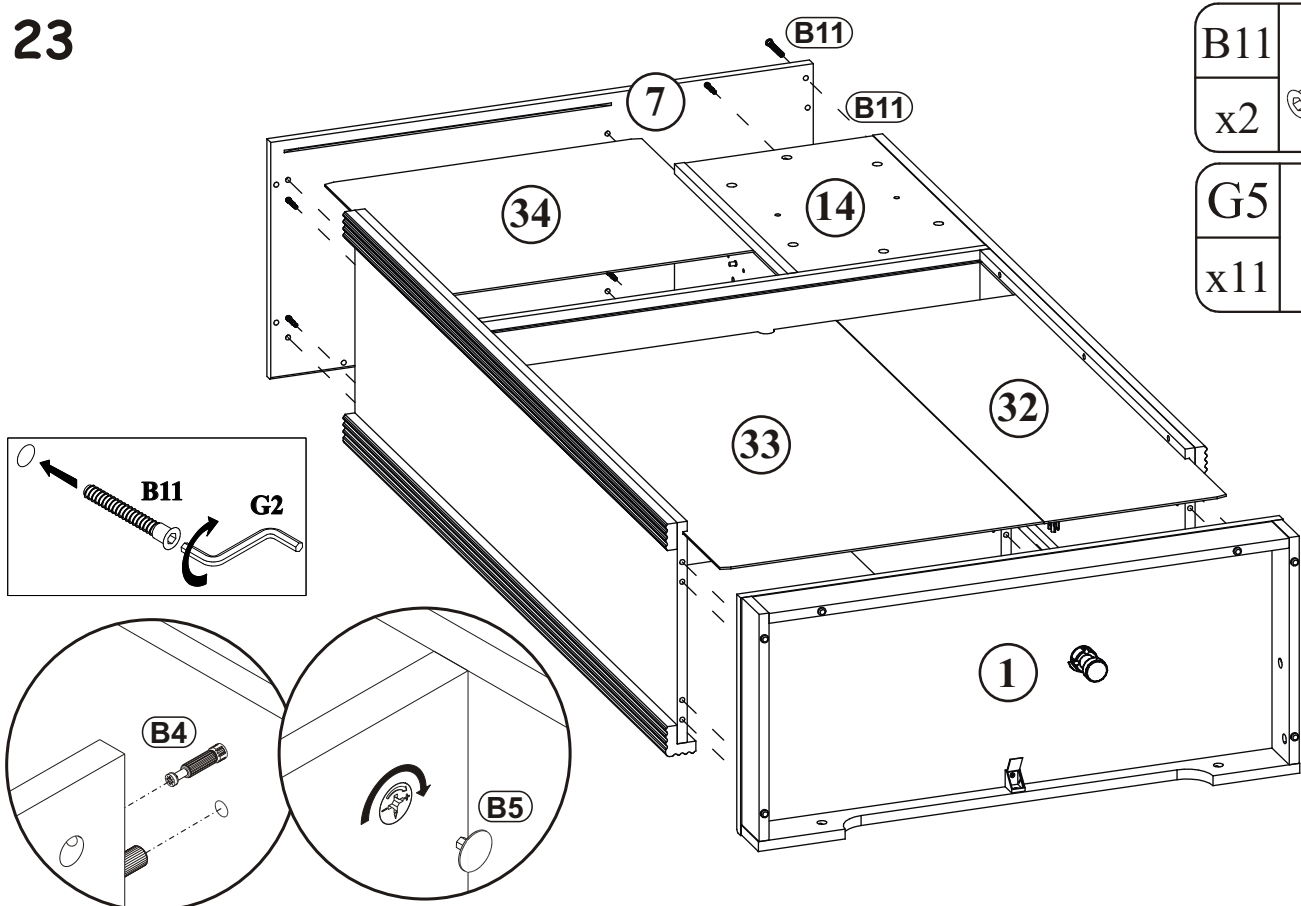
22

B14		G4		G5	
x14	Ø7x30	x14		x3	

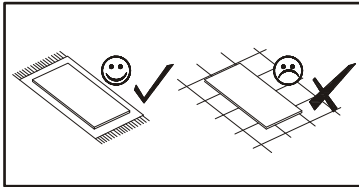


23

B11		G5	
x2	Ø7x50	x11	

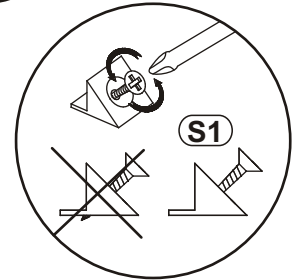
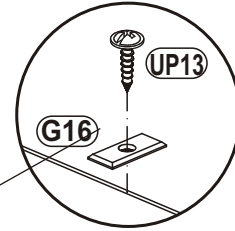
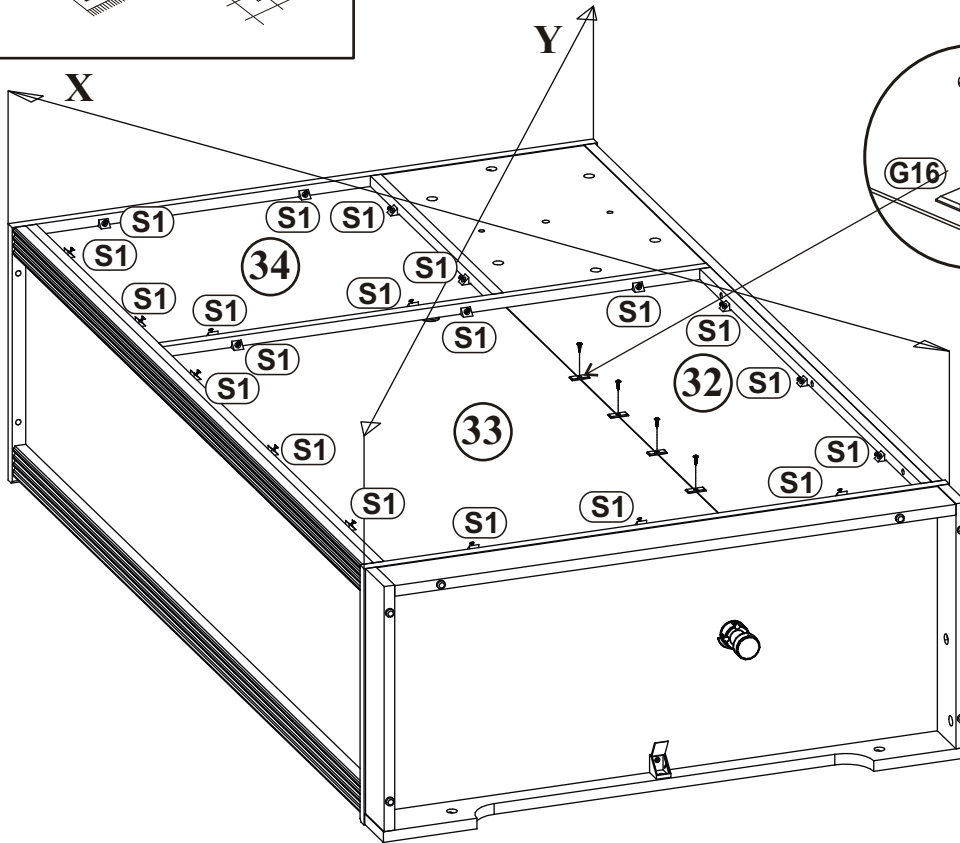


24

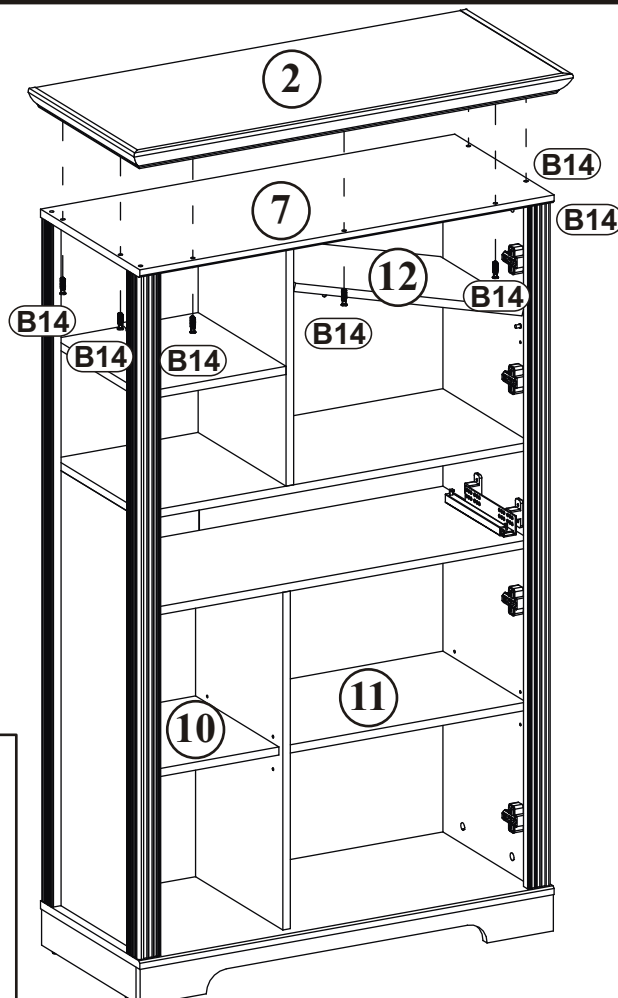
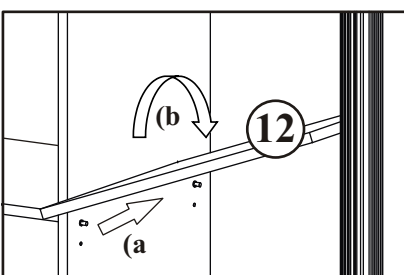
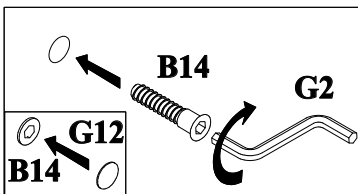
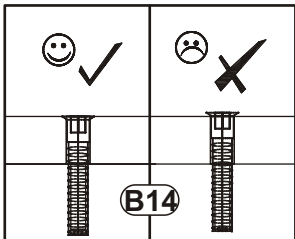


S1		G16	
x20		x4	

UP13	
x4	UPØ3x16

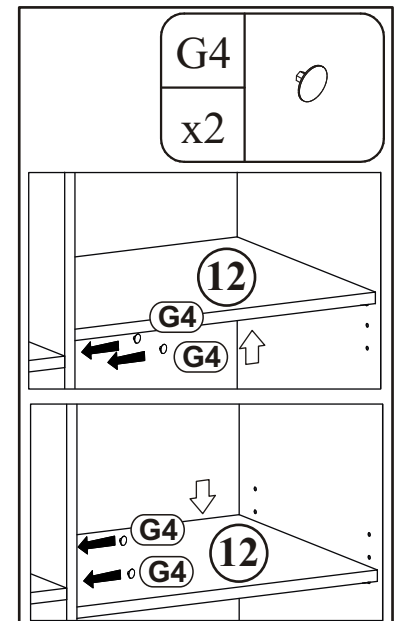


25



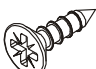
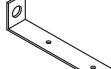
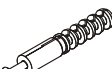
B14	
x7	Ø7x30

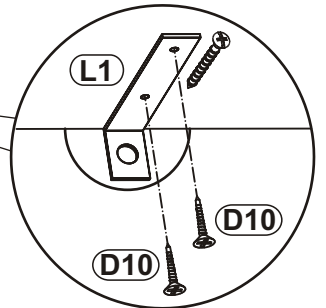
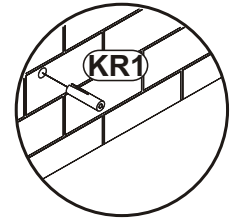
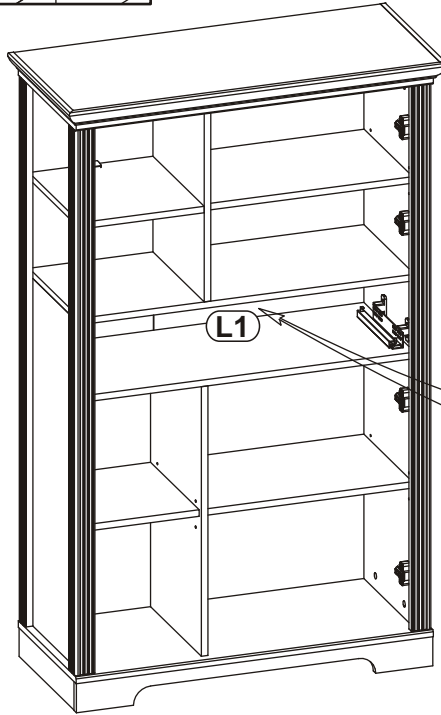
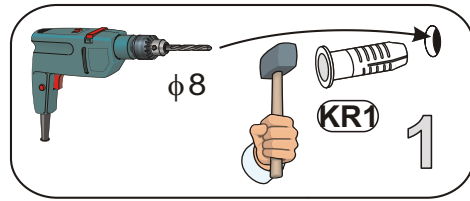
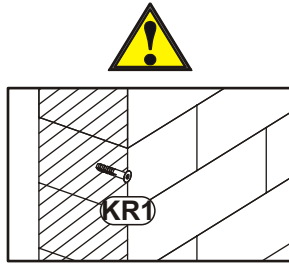
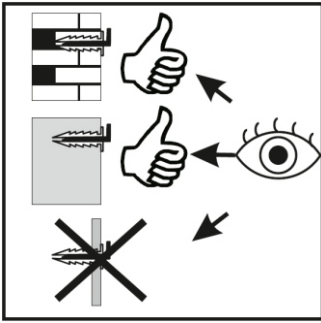
G12	
x7	Ø14



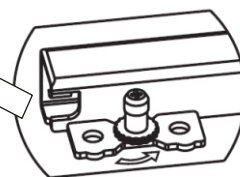
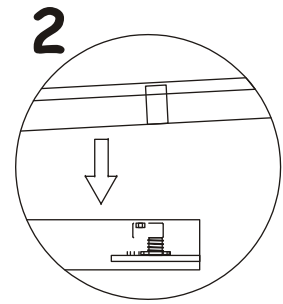
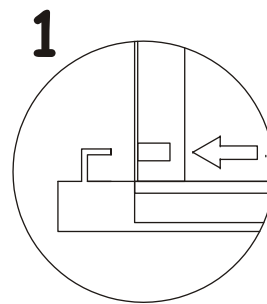
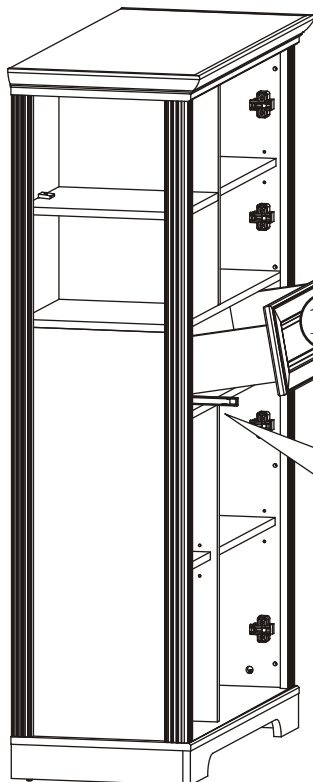
G4	
x2	

26

D10		L1		KR1	
x2	USØ3,5x13	x1		x1	



27



↑ +4 mm

28

